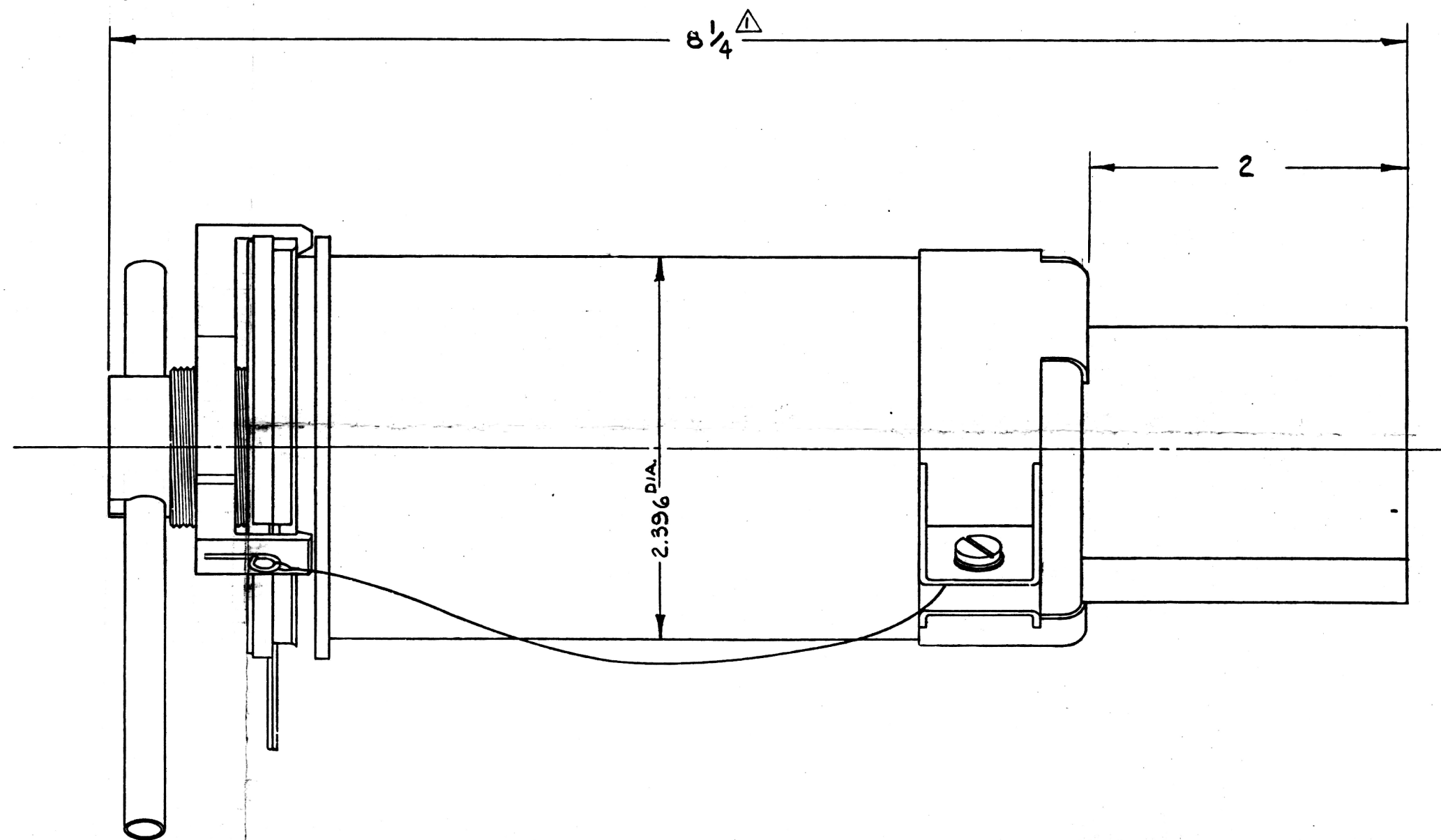
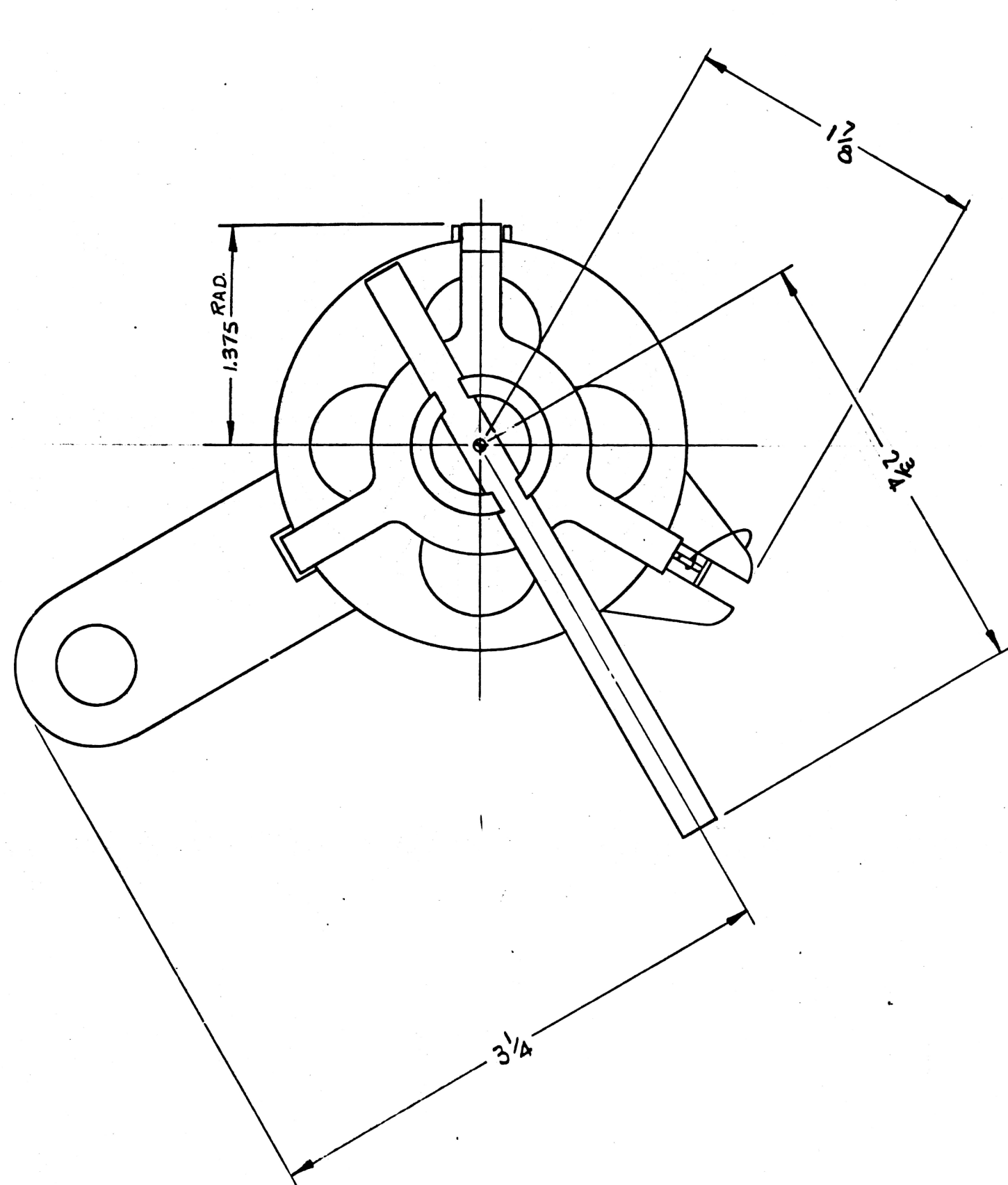


SESC Configuration Dimensions Technical Drawing

NOTE: This archival drawing was generated prior to 2/2/1970 and is suitable for reference only. It depicts sampling hardware which has been exhibited to the public since that time.

D-M – 46865

REVISIONS				
ISSUE	ZONE	DESCRIPTION	DATE	APPROVED
8		WAS 8 1/2	3-10-70	BBB/RFG



- REF. DWGS. :
- D-M-40021 ENVIRONMENTAL SAMPLE CONTAINER
 - D-M-42432 CLAMP (GRIP ASSIST)
 - D-M-42453 SEAL PROTECTOR
 - D-M-44504 LID PROTECTOR

CONFIGURATION CONTROL DATE 3-10-70

TOLERANCES: UNLESS SPECIFIED			
FRACTIONS	± 1/16		
XX DECIMALS	±		
XXX DECIMALS	± .008		
ANGLES	±		
BREAK SHARP EDGES	MAX.		
DRAWN	J. NABELE 2-27-70	UNION CARBIDE CORPORATION NUCLEAR DIVISION <small>operated for the ATOMIC ENERGY COMMISSION under U. S. GOVERNMENT Contract W-7408 eng 28</small> ALSRC ENVR. S. CONT. CONF. DIM <small>SIZE TITLE - 36 - SPACES</small>	
CHECKED	B.B. BOWDEN 2-6-70		
DESIGNED	BBB/RFG 2-6-70		
SECTION	RFG 2-6-70		
DEPT.	1 (W) HANDLING 2-9-70		
DIV.	LOW LEVEL GR-1 2-9-70	3 M E U SCALE: 2/1 SHEET OF W.C. 8-1853-11 D-M-46865 8 INV. 87-08 2 1/2	